

Tailor your lighting projects with precision and creativity using the liniLED® COB R RGBW LED strip. Illuminate with confidence, knowing that this product combines cutting-edge RGBW technology with practical design, offering an optimal lighting solution for professionals in the industry.

With a wide 180° beam angle, this product ensures expansive and immersive illumination, making it an ideal choice for dynamic and vibrant lighting designs that incorporate RGBW capabilities.

Experience superior heat dissipation, ensuring optimal and reliable performance even in challenging conditions. The liniLED® COB R RGBW boasts high package density, delivering a powerful and concentrated burst of colour, perfectly complemented by white light, allowing for versatile and impactful lighting effects in various settings.

For the latest version of this datasheet, visit our website: <https://www.triolight.com/en/led-products/led-strips>

USPs

- 180° beam angle.
- Good heat dissipation.
- High package density.
- Good flexibility.

Available colours

Colour	Description
 RGB+W 3000K	liniLED® COB R RGBW 800 3000K CRI90



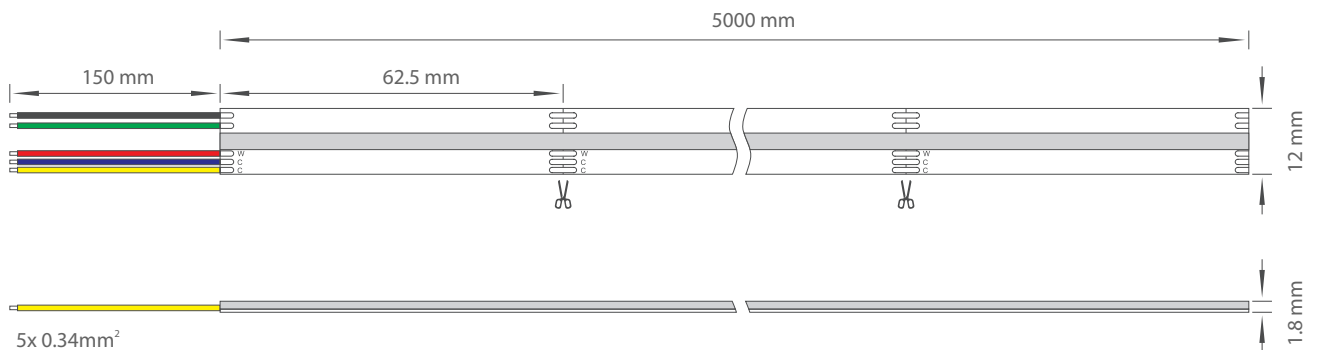
Technical specifications

RGBW

Product code	RC08-930-RGBW
Power (24V DC)	16 W/m
CCT	3000K
CRI	90
Luminous flux	768 lm/m
Luminous efficiency	48 lm/W
Spool length	5 m
Section length	62.5 mm
LED type	COB
Number of LEDs	896 pcs
Max. connection length	5 m
Min. operating voltage	23V DC
Max. operating voltage	25V DC
Width	12 mm
Height	1.8 mm
Dimmable	PWM, 0-10V, DALI and DMX dimming
MacAdam Steps	3 Steps
Type of protection	IP22
Storage temperature	-20°C ... +60°C
Operating temperature	-20°C ... +70°C

Typical measured values are given, which due to tolerances in components and production process can vary up to 10%.

Product drawings



Power consumption

To power the liniLED® LED strips and lighting fixtures, a power supply from the liniLED® Power assortment can be selected. Selection of the correct power supply must be done by taking the total requested power and the environment into account.

The total power consumption can be calculated by summing the requested power of all connected products. To calculate the power consumption of a single length of LED strip, use the equation below. The typical equation is valid if the product is supplied by a 24 V DC constant voltage power supply. If the output voltage of a power supply is increased, the power consumption will increase with the same ratio and needs to be corrected by using the optional part of the equation found between brackets.

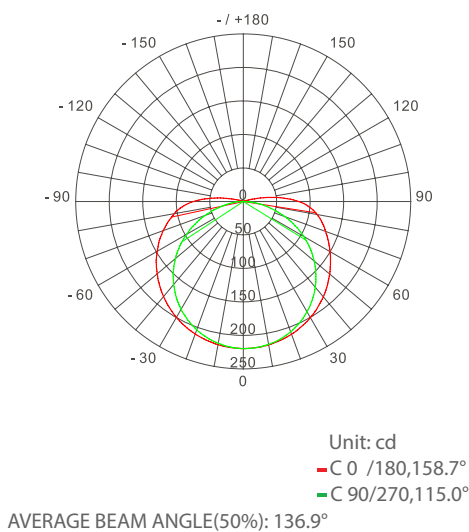
$$P_{STRIP} = P_{PRODUCT} \times X_{LENGTH} \times 110\% \left[\times \frac{U_{SUPPLY}}{24} \right]$$

- P_{STRIP}** Calculated power consumption of one LED strip in Watt
- $P_{PRODUCT}$** Typical power consumption in Watt per metre of the selected LED strip
This value can be found under 'Product characteristics' on page 2
- X_{LENGTH}** Length of the connected LED strip in metres
- 110%** Safety margin to buffer differences over all production batches
- Optional:
- U_{SUPPLY}** Set supply voltage of the power supply in Volt
- 24** Nominal supply voltage of liniLED® in Volt

Photometric information

In the process of lighting design and calculations, the luminous flux and beam angle alone are not enough information to create a representative and realistic calculation or render. There is a set of photometric files for each LED strip type, available in two different file formats:

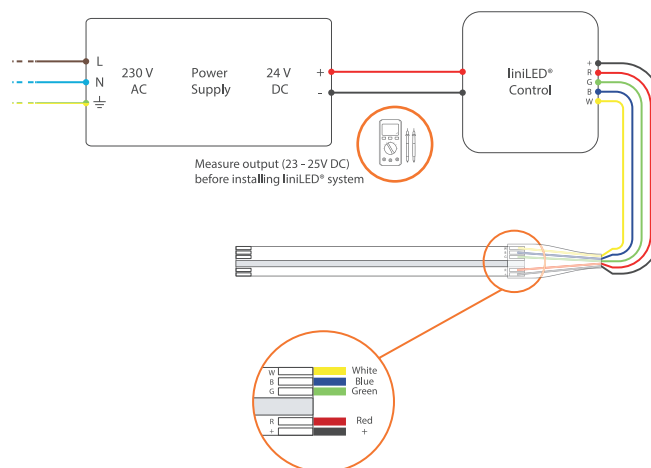
- Eulumdat (.ldt)
- IES LM-63-1995 (.ies)



Height	Flux Out: 520.6lm	Beam Angle: 115.11°	Diameter
0.02m	161772,570568lx		6.29cm
0.04m	40443,142642lx		12.59cm
0.06m	17975,63396lx		18.88cm
0.08m	10111,35660lx		25.17cm
0.10m	6471,22823lx		31.46cm
0.12m	4494,15849lx		37.76cm
0.14m	3301,11644lx		44.05cm
0.16m	2528,8915lx		50.34cm
0.18m	1997,7044lx		56.63cm
0.20m	1618,5706lx		62.93cm

Note: the above data is based on RC08-930-RGBW. For other data, please consult sales rep.

Power and connection diagram



Disclaimer

The published information is checked to be as accurate as possible, however Triolight B.V. or any reseller of iniLED® cannot be held liable for any damages resulting from misprints, errors, modifications or outdated information. No legal rights can be derived from this document. Triolight B.V. reserves the right to modify the information without informing the customers. Please check for the latest version on www.triolight.com. This product should not be used in applications, devices or systems where incorrect operation of the product may result in personal injury (includes emergency lighting) without written permission from the board of Triolight B.V. If nevertheless used in such applications, devices or systems, Triolight B.V. cannot be held liable for any resulting injury. iniLED® is a registered trademark of Triolight B.V.

Symbols



Manufacturer's declaration that the product meets the applicable EC directives.



Operating voltage of 24 V DC.



Electro Static Discharge (ESD) sensitive device, apply standard ESD precautions when handling the product.



Restriction of Hazardous Substances (RoHS): product complies with the RoHS directive and each homogeneous material does not exceed the limits for the materials mentioned under the RoHS directive (Pb, Hg, Cd, Cr6+, PBB and PBDE).



Not protected against ingress of solid foreign objects. Not-protected against ingress of water.



System guarantee of 3 years when the complete system consist of iniLED® products with the 3 years system warranty logo. Terms & conditions apply.