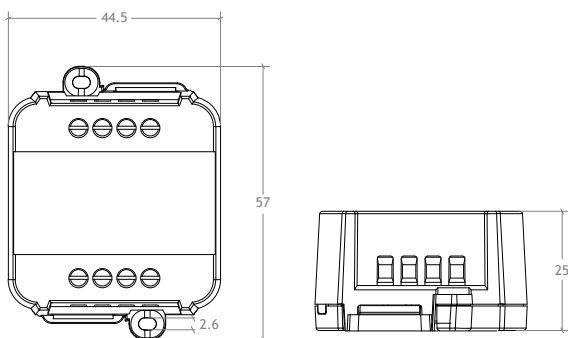




Index

TECHNICAL SPECIFICATIONS	2
PROTECTION CIRCUITS	2
WIRING SCHEMES	3
REFERENCE STANDARDS	3
SYMBOLS	4

Product drawing



USP's

- Great for single colour and high power LED strips
- Cost effective solution
- Optimised dimming curve
- Wide input voltage range
- Small size surface mounted
- Fully tested, 5 year system warranty
- Analogue 0-10 V or 1-10 V controlled
- Impressive amount of safety circuits
- Soft start/stop dimming
- Easy to install
- Suitable for existing control infrastructures

liniLED® Control

We strive to provide the best possible solutions for the linear LED industry. Therefore we've launched a complete range of functional user friendly and reliable LED drivers which can be used for nearly every situation.

Our new LED drivers are fully designed and manufactured in Europe. We only use high quality components that meet our highest standards. All products are fully factory tested and covered by our 5 year system warranty.

Dim 1-X-10 V

This small but powerful constant voltage LED driver can be used to control single coloured products. The 16 bit dimming resolution guarantees smooth dimming from 0.1 to 100%. Because of the powerful output you can now control LED strips with higher lumen packages in full spool lengths, such as 10 metres of liniLED® High Power and upward.

The 0-10/1-10 V interface also allows for easy integration in building management and other lighting control systems. An external power supply is always required to drive this system and due to the wide input voltage range, adjustable power supplies can be used to easily compensate for any voltage drops.

For the latest version of this datasheet, visit our website: www.liniLED.com.



Technical specifications

Dim 1-X-10 V

Product code	11130
Input signal	0-10 V, 1-10 V or potentiometer
Input voltage (V_{in})	10.8 ... 52.8 V DC
Input current (I_{in}) ¹	Max. 8 A (peak)
Max. load @ 24 V DC ¹	156 W
Output channels	1
Output current per channel ¹	Max. 8 A (peak) Max. 7.5 A @ 20°C Max. 6.5 A @ 40°C
Output signal	D-PWM, 16 bit resolution
Output type	Constant voltage, common anode
Output voltage (V_{out})	= V_{in}
Typical efficiency	> 95%
Standby power @ 24 V DC	Max. 500 mW
Dimming range	0.1 ... 100%
Command supply	0,5 mA (only for 1-10 V)
Command required current	Max. 0,1 mA (not for 1-10 V)
Dimming frequency	250 Hz
IP rating	IP20
Storage temperature	-40 ... 60°C
Ambient operating temperature (T_a)	-10 ... 40°C
Dimensions	45 x 57 x 25 mm
Packaging dimensions	68 x 56 x 35 mm
Weight	40 g
Housing material	Self-extinguishing PC/ABS
Thermal shutdown ²	150°C
Wiring	2.5mm ² solid - 1.5mm ² stranded - 30/12 AWG

¹ Maximum value, dependent on ventilation conditions.

² Provided by MOSFET internal shut down.

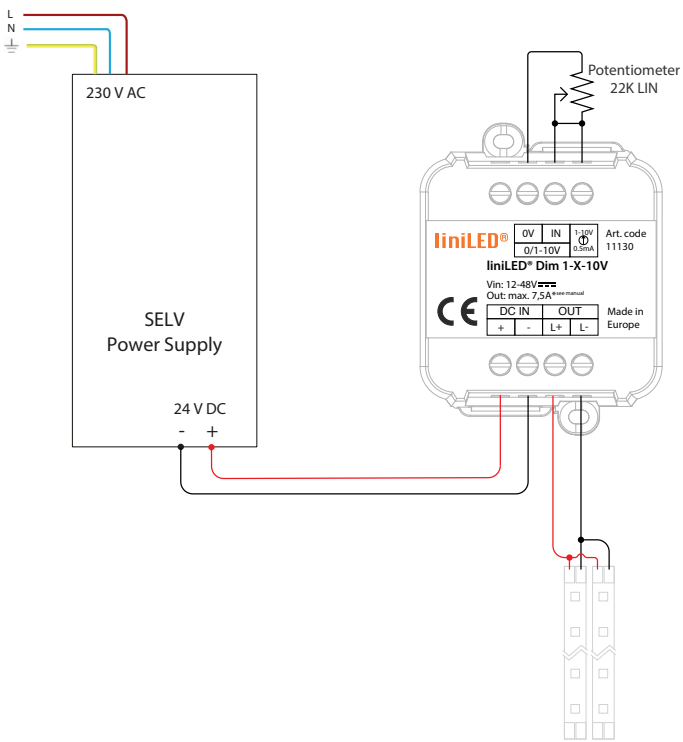
Protection circuits

OTP	Over temperature protection ²
OVP	Over voltage protection ³
UVP	Under voltage protection ³
RVP	Reverse polarity protection ³
IFP	Input fuse protection ³
SCP	Short circuit protection
CLP	Current limit protection

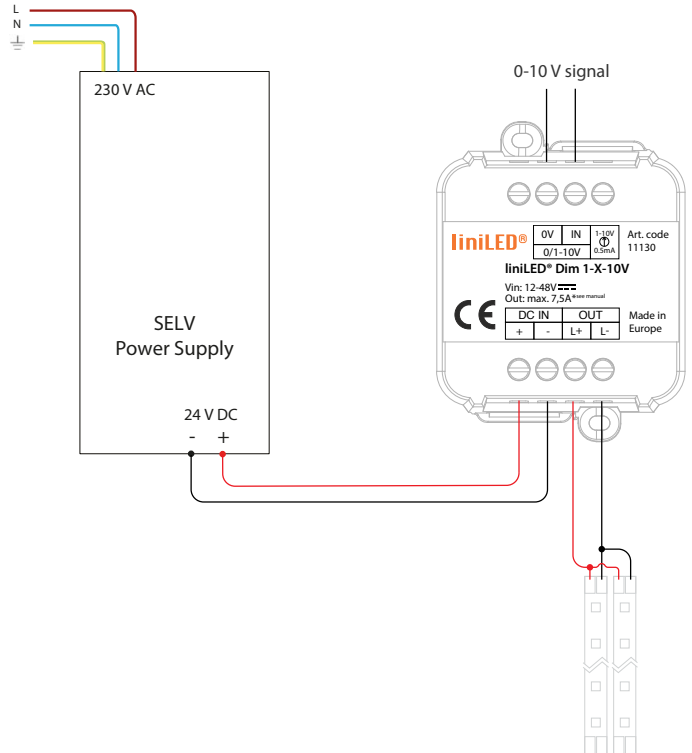
³ Only control logic protection.

Wiring schemes

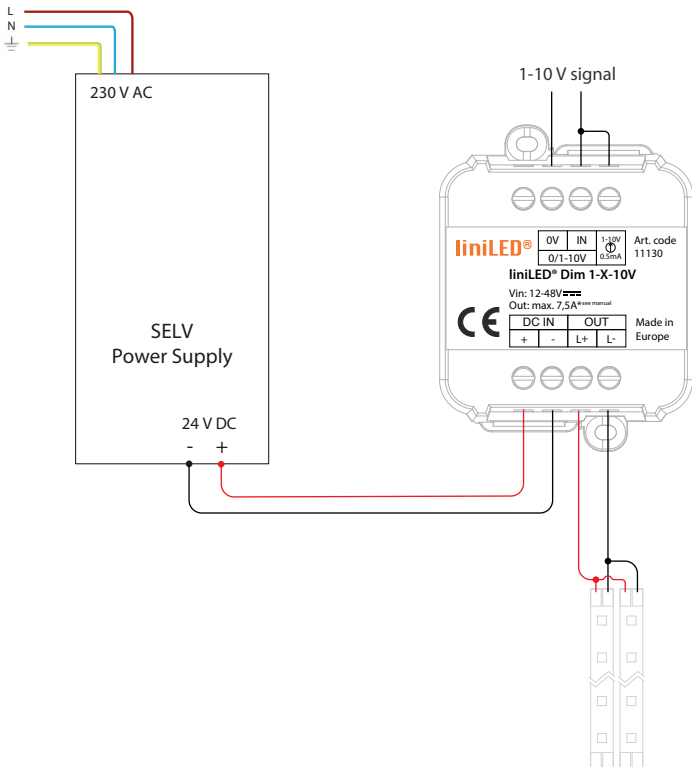
Potentiometer



0-10 V signal



1-10 V signal



Reference standards

This product is designed and produced according to following standards.

EN 61347-1:2008 + A1:2011 + A2:2013	Lamp control gear - Part 1: General and safety requirements
EN 55015:2013+A1:2015	Limits and methods of measurement of radio disturbance characteristics of electrical lighting and similar equipment
EN 61547:2009	Equipment for general lighting purposes - EMC immunity requirements
EN 50581:2012	Technical documentation for the assessment of electrical and electronic products with respect to the restriction of hazardous substances
IEC 60929-E.2.1	Control interface for controllable ballasts - control by d.c. voltage - functional specification
ANSI E 1.3	Entertainment Technology - Lighting Control Systems - 0 to 10 V Analog Control Specification

Symbols



Manufacturer's declaration that the product meets the applicable EC directives.



Restriction of Hazardous Substances (RoHS): product complies with the RoHS directive and each homogeneous material does not exceed the limits for the materials mentioned under the RoHS directive (Pb, Hg, Cd, Cr6+, PBB and PBDE).



Protected against ingress of solid foreign objects ≥ 12.5 millimetres. Not-protected against ingress of water.



Electrical appliance class III: this product is designed to be supplied from an extra-low voltage (≤ 60.0 V DC or ≤ 42.4 V AC).



Operating voltage of 12-48 V DC (please check or refer to LED product specification).



System guarantee of 5 years when the complete system consist of liniLED® products with the 5 years system warranty logo. Terms & conditions apply.

Disclaimer

The published information is checked to be as accurate as possible, however Triolight B.V. or any reseller of liniLED® cannot be held liable for any damages resulting from errors or outdated information. Triolight B.V. reserves the right to modify the information without informing the customers. When this document is printed or downloaded, please check for the latest version on the internet, the most up to date information will be published on www.liniLED.com. This product should not be used in applications, devices or systems where incorrect operation of the product may result in personal injury (includes emergency lighting) without written permission from the board of Triolight B.V. If nevertheless used in such applications, devices or systems Triolight B.V. cannot be held liable for any resulting injury.